

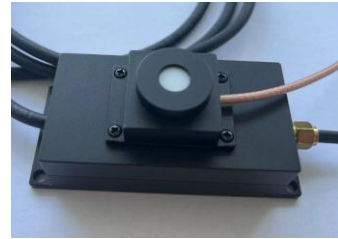


UV Sensor Probe

Model: AP-UVx-3y

General features:

- Compact package with sapphire window
- Single power supply
- Analog 0-5 V or 4-20 mA output or digital RS485 output
- High sensitivity and proved reliability
- Discrete design for sensor head and RS485 module



Applications: Radiant intensity measurement for UV curving, UV sterilization monitoring

Specifications:

General parameters				
Dimensions	Window diameter (mm)	Weight (g)	Case material	
See drawing below	8	165	Al	
Parameters	Symbol	Value	Unit	Remark
Maximum ratings				
Operation temperature	T_{op}	-20-70	$^{\circ}\text{C}$	
Storage temperature	T_{sp}	-30-85	$^{\circ}\text{C}$	
Electro-optical characteristics (25 $^{\circ}\text{C}$)				
Supply voltage	V_{cc}	7-24	V	DC
Output signal	I_{out}	4-20	mA	2 wire circuit (AP-UVx-31)
				3 wire circuit (AP-UVx-32)
	V_{out}	0-5	V	3 wire circuit (AP-UVx-33)
Detection wavelength range ¹		220-290	nm	AP-UVC-3y
		220-325		AP-UVB-3y
		220-370		AP-UVA-3y
		290-440		AP-UVV-3y
UV power intensity measurement range	P	0-200	mW/cm^2	See other options ²
Connection				
Cable length ³	1.5 m			

¹ UVA, UVB, UVC, UVV and full UV band are all available upon request.

² UV power intensity measurement range: 0-200 mW/cm^2 (standard), 0-10 mW/cm^2 (option) 0-1 W/cm^2 (option) 0-10 W/cm^2 (option).

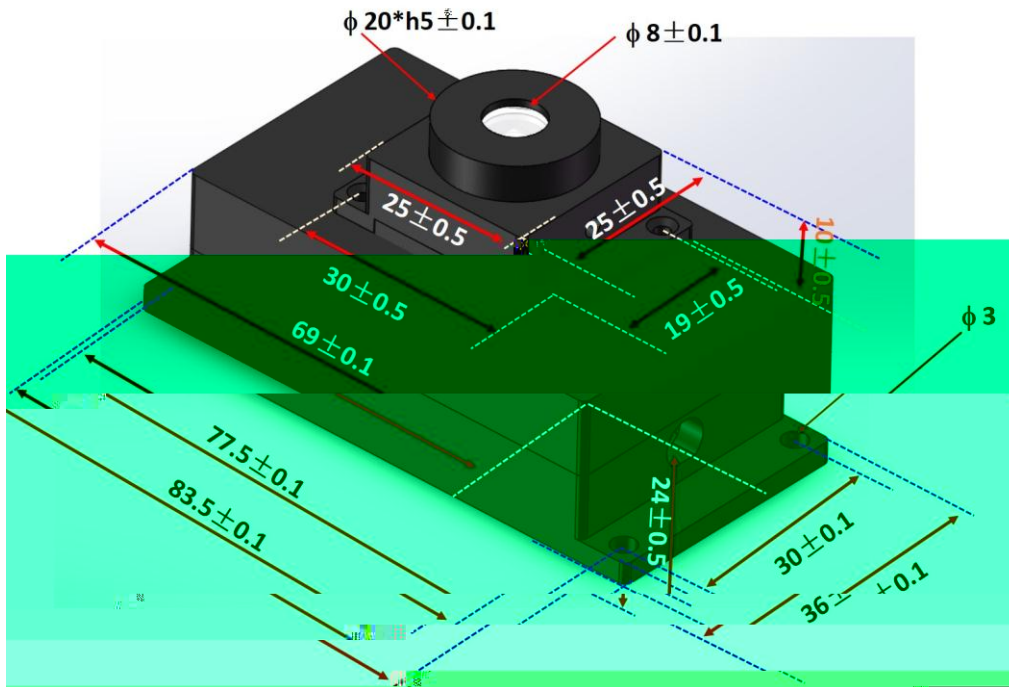
³ Cable length can be customized upon request.



UV Sensor Probe

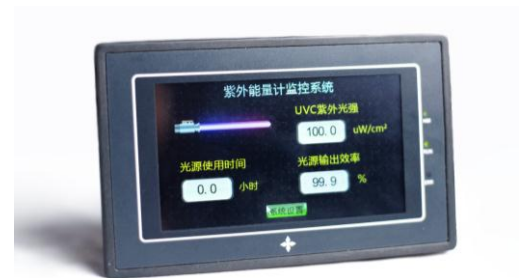
Model: AP-UVx-3y

Drawing (unit: mm)



Touchscreen UV radiometer (optional)

- Fully compatible with all GaNo Opto s UV sensor probes
- Real time display of UV power density, UV source accumulated service time and UV source output efficiency
- System settings for UV output calibration, timer reset, operation status cartoon, threshold of failure alarm and initial 100% output efficiency normalization
- One channel input and 24 V power supply
- Customized Chinese and English versions



Lite-edition UV radiometer (optional)

- Fully compatible with all GaNo Opto s UV sensor probes
- 5 digital real time display of UV power density
- Pre-calibration or re-calibration for specific UV light source upon request
- Optional RS-485 or relay output
- One channel input and 9-24 V power supply

