



UV Sensor Probe

Model: APF-UVx-1y

General features:

- Stable high temperature operation
- Single power supply
- Analog 0-5 V or 4-20 mA output
- High sensitivity and proved reliability

Applications: Radiant intensity measurement for UV curing, UV sterilization monitoring

Specifications:

| General parameters | | | | | |
|------------------------------------|-------------------------|---------------------------|------------|-----------------------------|------------------|
| Dimensions | Probe tip diameter (mm) | Optical fiber length (mm) | Weight (g) | Amplifier circuit case body | Quartz fiber tip |
| See drawing below | 9 | 260 | 280 | Al | 304 |
| Parameters | Symbol | Value | Unit | Remark | |
| Maximum ratings | | | | | |
| Operation temperature ¹ | T _{op1} | -20-250 | °C | Quartz fiber probe tip | |
| Operation temperature ² | T _{op2} | -20-80 | °C | Amplifier circuit case | |

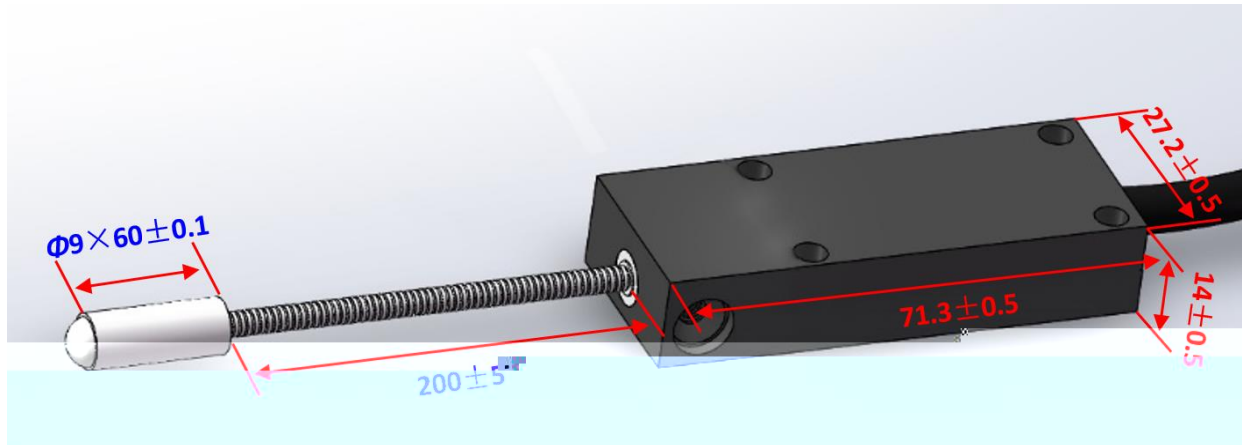
Electro-optical c fiber



UV Sensor Probe

Model: APF-UVx-1y

Drawing (unit: mm)



Touchscreen UV radiometer (optional)

- Fully compatible with all GaNo Opto s UV sensor probes
- Real time display of UV power density, UV source accumulated service time and UV source output efficiency
- System settings for UV output calibration, timer reset, operation status cartoon, threshold of failure alarm and initial 100% output efficiency normalization
- One channel input and 24 V power supply
- Customized Chinese and English versions



Lite-edition UV radiometer (optional)

- Fully compatible with all GaNo Opto s UV sensor probes
- 5 digital real time display of UV power density
- Pre-calibration or re-calibration for specific UV light source upon request
- Optional RS-485 or relay output
- One channel input and 9-24 V power supply

