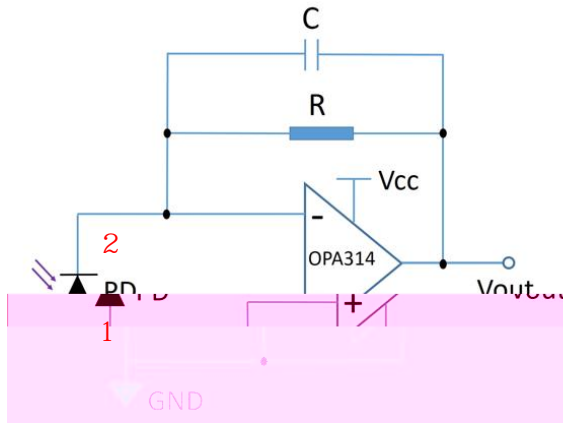




- 
- - 
  - 
  - 
  -





$$V_{out} (V) = I_{ph} (A) \times R (\Omega)$$

$$I_{ph} (A) = R_{\lambda} (A/W) \times A (cm^2) \times P (W/cm^2)$$

where A is chip area, P is UV power density and  $R_{\lambda}$  is responsivity at specific wavelength

