



SiC-based UV photodiode

Model: SSL-ABC-3535LQC

General Features:

- UVA+UVB
- G
- H

Applications: , ,

Specifications:

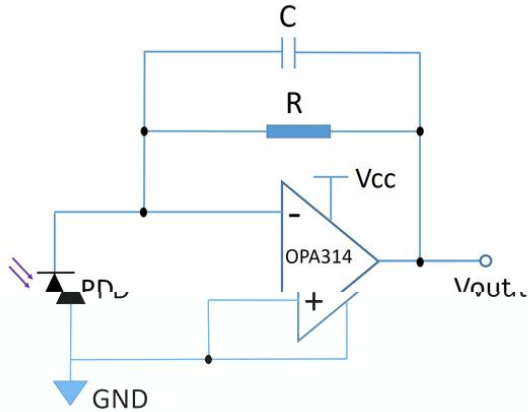
Parameters	Symbol	Value	
Maximum ratings			
Operating temperature range	T	-25-100	C
Storage temperature range	T	-40-110	C
Reverse current (3)	T	260	C
R			



SiC-based UV photodiode

Model: SSL-ABC-3535LQC

Application circuit:

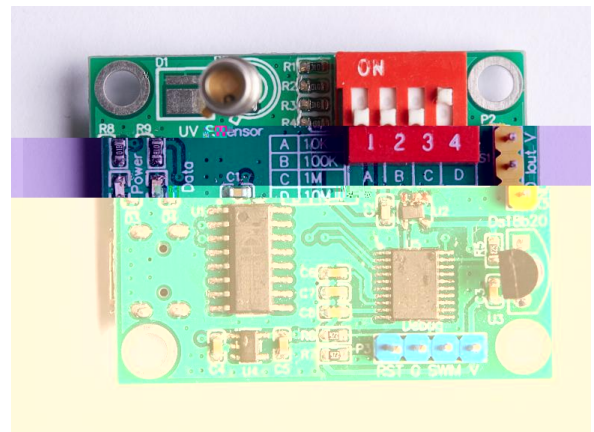


$$V_{out} (V) = I_{ph} (A) \times R (\Omega)$$

$$I_{ph} (A) = R_{\lambda} (A/W) \times A (cm^2) \times P (W/cm^2)$$

where A is chip area, P is incident UV power density and R_{λ} is responsivity at specific wavelength.

Evaluation circuit board:



A a c a a b a
a a ca b a a . T
a a b a a c a
b SMD- a TO- ac a UV
b GaN O . U c
c UV
b a a , b
b a a .
T a a b a a a a c a a c .
D a ca a a c c a a c a , c
a b a c a .
T UV a a b a a b a a a ac . A a
ac a a a a c UV a , a ac
a c ca PC c a . A bac c -USB
a ac PC USB cab c c . U c a c ca
a PC c c a a a a b a .
F a a b a , a // . a - .c , a ca
b a , a a a a ab GaN O UV ca
b .
N :T b a a .
M G N I C